

Drywall Pro-Cut Ltd

Office Drywall Supplies: Drywall Components Now Made Off Site by the Expert Drywall Distributor.

Head Office: Villiers Court, Meriden Business Park, 7 Copse Dr, Millisons Wood, Coventry, CV5 9RN.

Tel: 07740 358 514

Email: enquiries@drywallpro-cut.co.uk

Website: <https://www.drywallpro-cut.co.uk>

PRODUCT PROFILE

Deflection head designed to provide resilient fixing to connect the top of British Gypsum partitions to the underside of a structural slab or soffit. Product allows for building deflection and movement to accommodate and minimise stress development in partitions that could result in yielding of studs, visible cracking or failure of serviceability limit states. Fabricated in an offsite environment to maximise safety and ensure high levels of quality and compliance with associated regulatory requirements and manufacturer warranties. Complies with all thermal and acoustic requirements as a critical component of the extensive range of British Gypsum partitioning systems whilst providing high levels of protection against fire for periods of up to 120 minutes in standard applications.

MATERIAL SPECIFICATION, DIMENSIONS AND SIZES – Partition fire testing to BS EN1364-1:1999.

Material Properties and Available Dimensions for Metal and Plasterboard Components

*Thermal and fire material testing carried out by British Gypsum in accordance with EN 520:2004+A1:2009 and EN 15283-1:2008+A1:2009.

*Material properties were tested based on individual metal and gypsum components, not for the entire deflection head.

*For fire rating of partitions where deflection head will be used see full British Gypsum specifications for selected partitioning systems.

Metal Track Selections	Length	Width	Flange Depth	Gauge Thickness	Metal Unit Weight
British Gypsum 50DC60	3600mm	50mm	50mm	0.60mm	0.70kg/lm
British Gypsum 62DC60	3600mm	62mm	50mm	0.60mm	0.75kg/lm
British Gypsum 72DC60	3600mm	72mm	50mm	0.60mm	0.80kg/lm
British Gypsum 94DC60	3600mm	94mm	50mm	0.60mm	0.90kg/lm
British Gypsum 148DC60	3600mm	148mm	50mm	0.60mm	1.16kg/lm
British Gypsum 50EDC70	3600mm	50mm	70mm	0.70mm	1.03kg/lm
British Gypsum 72EDC80	3600mm	72mm	70mm	0.80mm	1.31kg/lm
British Gypsum 94EDC70	3600mm	94mm	70mm	0.70mm	1.27kg/lm
British Gypsum 148EDC80	3600mm	148mm	70mm	0.80mm	1.78kg/lm
Plasterboard Selections	Reaction to Fire	Thermal Conductivity		Minimum Weight	No of Layers
British Gypsum 19mm Coreboard	A2-s1, d0	0.24W/mk		16kg/m ²	1 or 2
British Gypsum 15mm Glasroc F FIRECASE	A1	0.30W/mK		11.8kg/m ²	1 or 2
British Gypsum 20mm Glasroc F FIRECASE	A1	0.30W/mK		15.8kg/m ²	1 or 2
British Gypsum 25mm Glasroc F FIRECASE	A1	0.30W/mK		19.9kg/m ²	1 or 2
British Gypsum 30mm Glasroc F FIRECASE	A1	0.30W/mK		23.9kg/m ²	1 or 2

ADDITIONAL PRODUCT DETAILS

- Wide selection of deflection heads available to accommodate standard deflections in the range of 15-50mm.
- Metal sections all meet BS EN14195:2014 requirements for metal framing components for gypsum board systems.
- Standard installation in accordance with British Gypsum recommendations can provide 60-120 minutes fire protection as necessitated in Building Regulations Approved Document B and supporting documentation (e.g. HTM05/BB100).
- Fire testing of full partitioning systems containing this product or equivalent conducted according to BS EN1364-1:1999.
- Gyproframe metal channels are 100% recyclable (European Waste Catalogue code is 12 01 01).
- Gypsum based components can be fully recycled provided they are not contaminated by non-gypsum materials.
- Component complies with British Gypsum SpecSure® warranty verifying that approved partitioning systems will perform as specified upon installation and will continue to do so throughout the design life of the building.

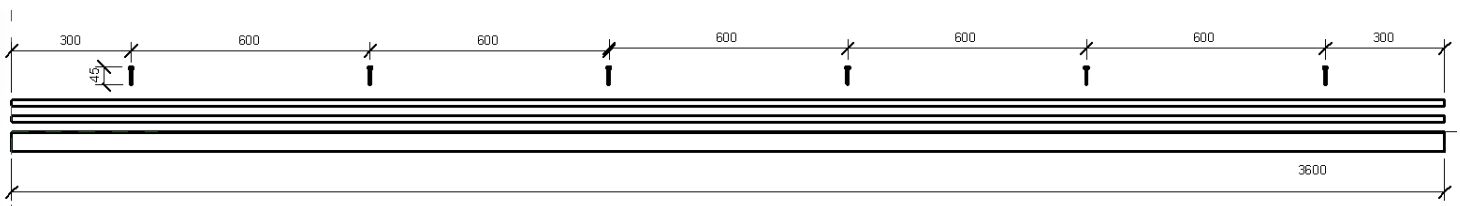
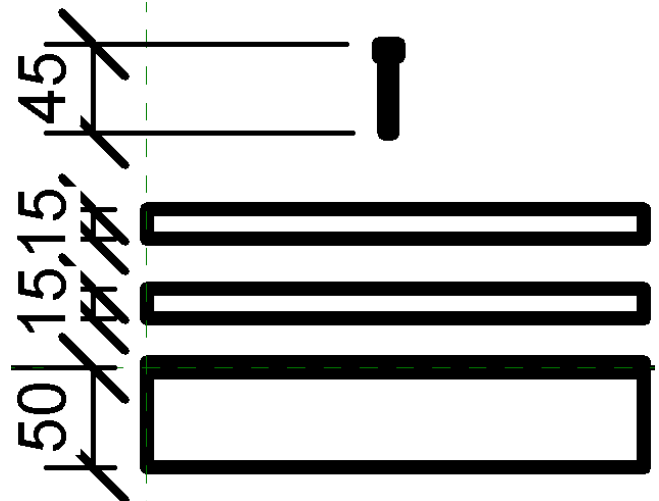
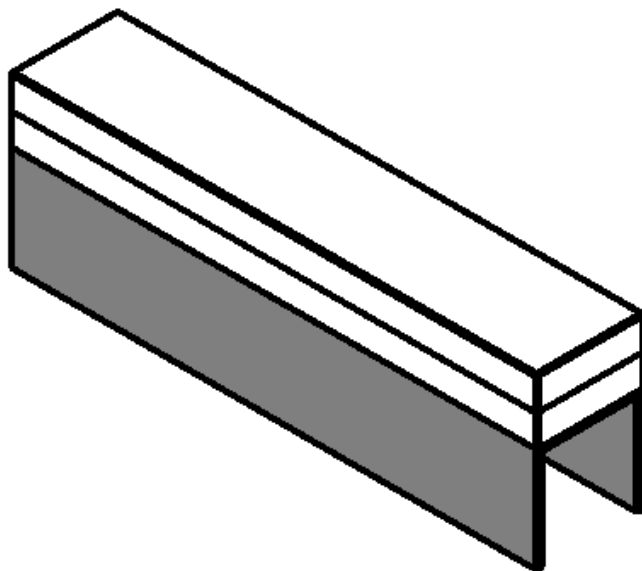
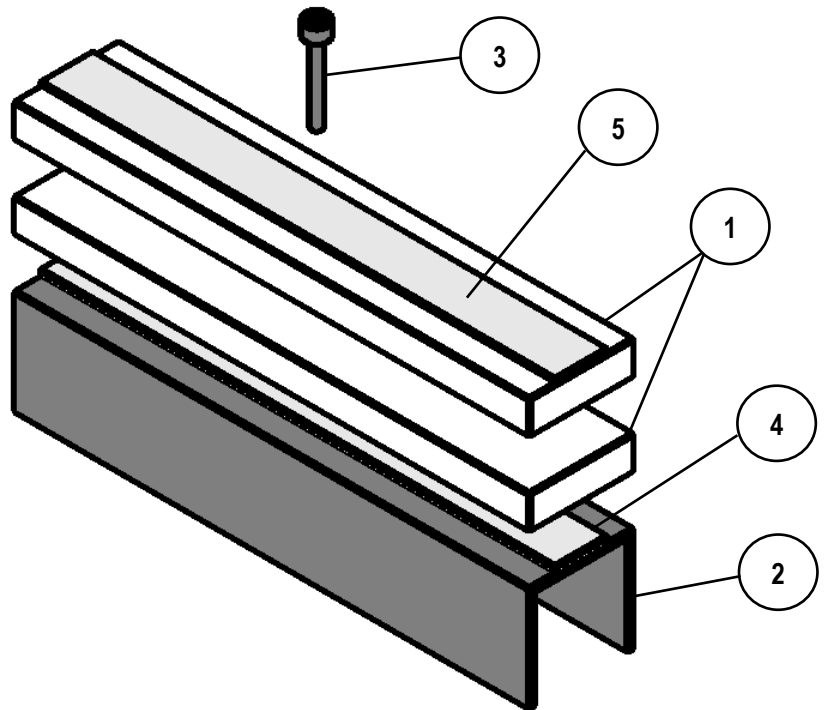
INSTALLATION, QUALITY AND ADDITIONAL INFORMATION

- All materials and fixings are installed off site in a quality-controlled environment and delivered safely to site.
- See project-specific British Gypsum detailing for specified partitioning systems for guidelines on site installation.
- Additional fire protection in the form of Gyproc FireStrip is also capable of being included/installed as required.

Drywall Pro-Cut Ltd

Drywall Pro-Cut Deflection Head: 15mm Allowance Standard British Gypsum Compliant Detail

1. Plasterboard fillets as specified.
 2. Metal head track as specified.
 3. British Gypsum compliant fixings to required penetration.
 4. Gyproc Firestrip available for fitting between metal track and plasterboard if required.
 5. Gyproc Firestrip supplied loose for fixing between plasterboard and soffit if required.
- See Website: <https://www.drywallpro-cut.co.uk> for available options.



Drywall Pro-Cut Ltd

Office Drywall Supplies: Drywall Components Now Made Off Site by the Expert Drywall Distributor.

Head Office: Villiers Court, Meriden Business Park, 7 Copse Dr, Millisons Wood, Coventry, CV5 9RN.

Tel: 07740 358 514

Email: enquiries@drywallpro-cut.co.uk

Website: <https://www.drywallpro-cut.co.uk>