

Drywall Pro-Cut Ltd

Office Drywall Supplies: Drywall Components Now Made Off Site by the Expert Drywall Distributor.

Head Office: Villiers Court, Meriden Business Park, 7 Copse Dr, Millisons Wood, Coventry, CV5 9RN.

Tel: 07740 358 514

Email: enquiries@drywallpro-cut.co.uk

Website: <https://www.drywallpro-cut.co.uk>

PRODUCT PROFILE

4-Sided flat-packed component designed to form an opening within British Gypsum twin-frame metal stud partitions enabling penetration of services through the partition to reach adjoining spaces. Accommodates a range of bespoke opening sizes and performance requirements to form a specified opening at any location across the partition. Fabricated in an offsite environment to maximise safety and ensure high levels of quality and compliance with associated regulatory requirements and manufacturer warranties. Complies with all thermal and acoustic requirements as a critical component of the extensive range of British Gypsum partitioning systems whilst providing high levels of protection against fire for periods of up to 120 minutes in standard applications.

MATERIAL SPECIFICATION, DIMENSIONS AND SIZES – Partition fire testing to BS EN 1364-1:1999.**Material Properties and Available Dimensions for Metal and Plasterboard Components**

*Thermal and fire material testing carried out by British Gypsum in accordance with EN 520:2004+A1:2009 and EN 15283-1:2008+A1:2009.

*Material properties were tested as based on individual metal and gypsum components, not for the entire component.

*For fire rating of partitions containing this product see BS EN 1366-3 and full British Gypsum specifications for selected partitioning systems.

Metal Track Selections	Length	Width	Flange Depth	Gauge Thickness	Metal Unit Weight
British Gypsum 50DC60	As Specified	50mm	50mm	0.60mm	0.70kg/lm
British Gypsum 62DC60	As Specified	62mm	50mm	0.60mm	0.75kg/lm
British Gypsum 72DC60	As Specified	72mm	50mm	0.60mm	0.80kg/lm
British Gypsum 94DC60	As Specified	94mm	50mm	0.60mm	0.90kg/lm
British Gypsum 148DC60	As Specified	148mm	50mm	0.60mm	1.16kg/lm
British Gypsum 50EDC70	As Specified	50mm	70mm	0.70mm	1.03kg/lm
British Gypsum 72EDC80	As Required	72mm	70mm	0.80mm	1.31kg/lm
British Gypsum 94EDC70	As Specified	94mm	70mm	0.70mm	1.27kg/lm
British Gypsum 148EDC80	As Specified	148mm	70mm	0.80mm	1.78kg/lm
Plasterboard Selections	Reaction to Fire	Thermal Conductivity	Minimum Weight	No of Layers	
British Gypsum 12.5mm Wallboard	A2-s1, d0	0.19W/mK	7.7kg/m ²	1 or 2	
British Gypsum 15mm Wallboard	A2-s1, d0	0.19W/mK	9.5kg/m ²	1 or 2	
British Gypsum 12.5mm Soundbloc	A2-s1, d0	0.25W/mK	10.3kg/m ²	1 or 2	
British Gypsum 15mm Soundbloc	A2-s1, d0	0.25W/mK	13.0kg/m ²	1 or 2	
British Gypsum 12.5mm Fireline	A2-s1, d0	0.24W/mK	9.7kg/m ²	1 or 2	
British Gypsum 15mm Fireline	A2-s1, d0	0.24W/mK	11.4kg/m ²	1 or 2	
British Gypsum 15mm Duraline	A2-s1, d0	0.25W/mK	14.1kg/m ²	1 or 2	
British Gypsum 12.5mm Moisture Resistant	A2-s1, d0	0.19W/mK	8.3kg/m ²	1 or 2	
British Gypsum 15mm Moisture Resistant	A2-s1, d0	0.19W/mK	9.8kg/m ²	1 or 2	

ADDITIONAL PRODUCT DETAILS

- Full penetration design using third-party fire stopping material should also reference BS EN 1366-3 to properly assess penetration fire resistance properties in addition to any basic test data provided by British Gypsum to BS EN 1364-1.
- Metal sections all meet BS EN14195:2014 requirements for metal framing components for gypsum board systems.
- Installation in accordance with British Gypsum recommendations using appropriate third-party BS EN 1366-3 compliant fire stopping material should achieve full fire rating performance for any specified British Gypsum partitioning system.
- Fire testing of full partitioning systems conducted according to BS EN1364-1:1999 where possible for twin-stud systems.
- Gypframe metal channels are 100% recyclable (European Waste Catalogue code is 12 01 01).
- Gypsum based components can be fully recycled provided they are not contaminated by non-gypsum materials.
- Component complies with British Gypsum SpecSure® warranty verifying that approved partitioning systems will perform as specified upon installation and will continue to do so throughout the design life of the building.

Drywall Pro-Cut Ltd

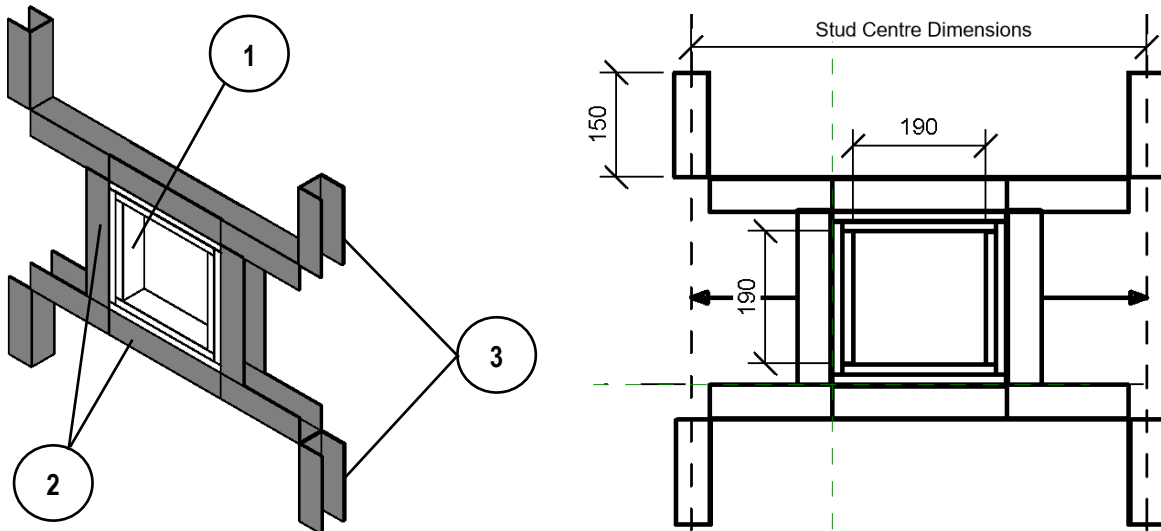
INSTALLATION, QUALITY AND ADDITIONAL INFORMATION

- All materials and fixings are installed off site in a quality-controlled environment and delivered safely to site.
- See project-specific British Gypsum detailing for specified partitioning systems for guidelines on site installation.
- Product is available for supply in either adjustable or modular format as depicted in the schematics below.
- Adjustable Builder's Work Openings are available in a range of bespoke sizes for accurate positioning at any location across the partition section (with accompanying support legs also being supplied and delivered as specified).
- Modular Builder's Work Openings are also available for simple and efficient installation between specified stud centres.
- Installation in accordance with British Gypsum guidance is capable of matching full structural, thermal, fire and acoustic properties for partitioning systems as detailed in British Gypsum system level test data.

ADJUSTABLE AND MODULAR BUILDER'S WORK OPENING DETAILS KEY

1. **Plasterboard fillets** as specified.
2. **Metal head track** as specified to comprise opening.
3. **Metal track** to comprise support legs as required.

Drywall Pro-Cut 4-Sided Builder's Work Opening: Adjustable Variant (Standard Detail)

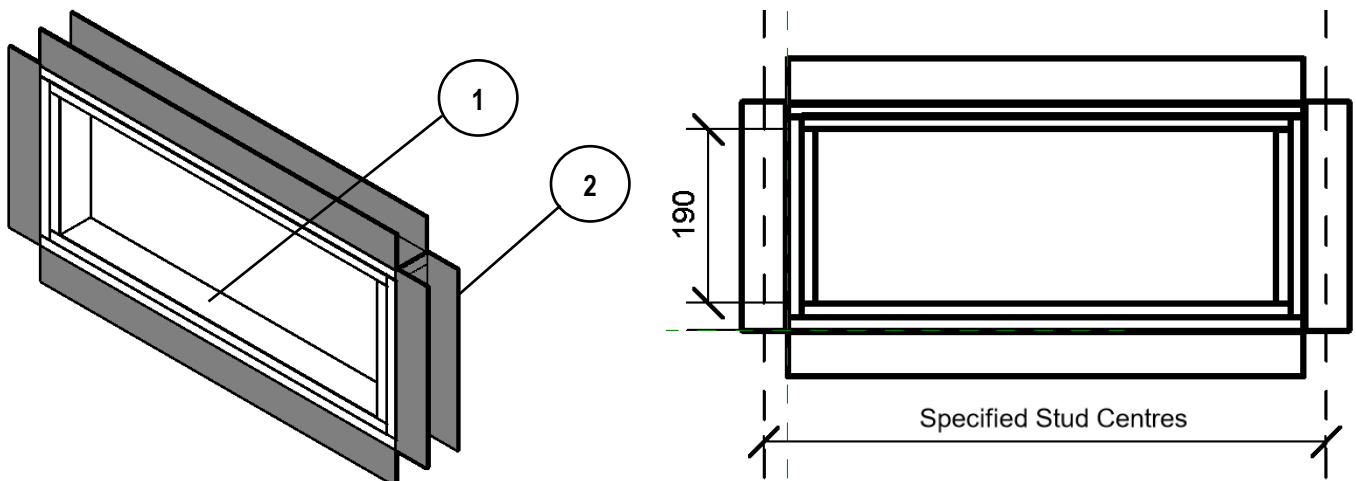


*Note: Support legs are provided to fit to the specified stud centres. Stock centre sizes include: 400, 600 and 1200mm c/c.

*Note: Support legs are utilised to enable fixing of the adjustable opening to vertical studs within the partition.

*Note: The opening location can be adjusted horizontally across the length of the support leg to enable the flexible positioning.

Drywall Pro-Cut 4-Sided Builder's Work Opening: Modular Variant (Standard Detail)



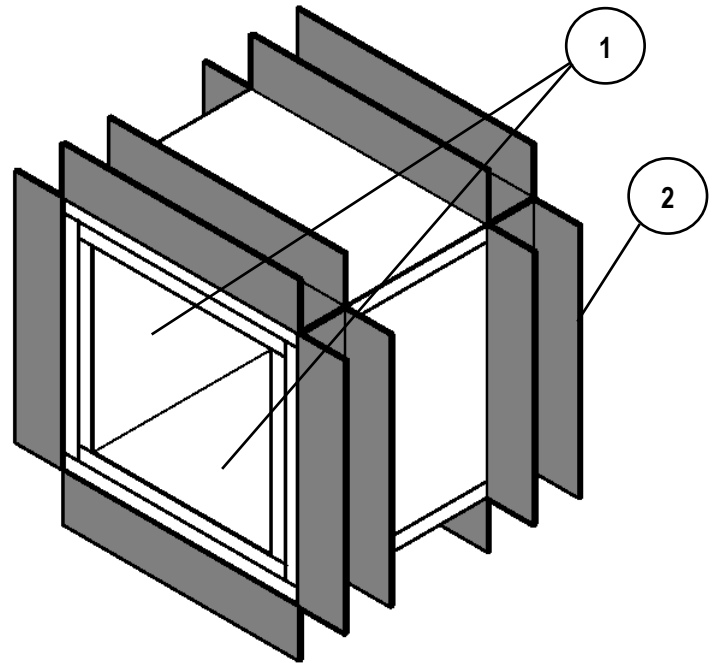
*Note: Modular openings can be produced to be fixed directly to vertical studs as a single composite member without the need for additional support legs. If more flexible opening dimensions are required then adjustable openings should be selected.

Drywall Pro-Cut 4-Sided Twin Wall Builder's Work Opening (British Gypsum Compliant)

Drywall Pro-Cut Ltd

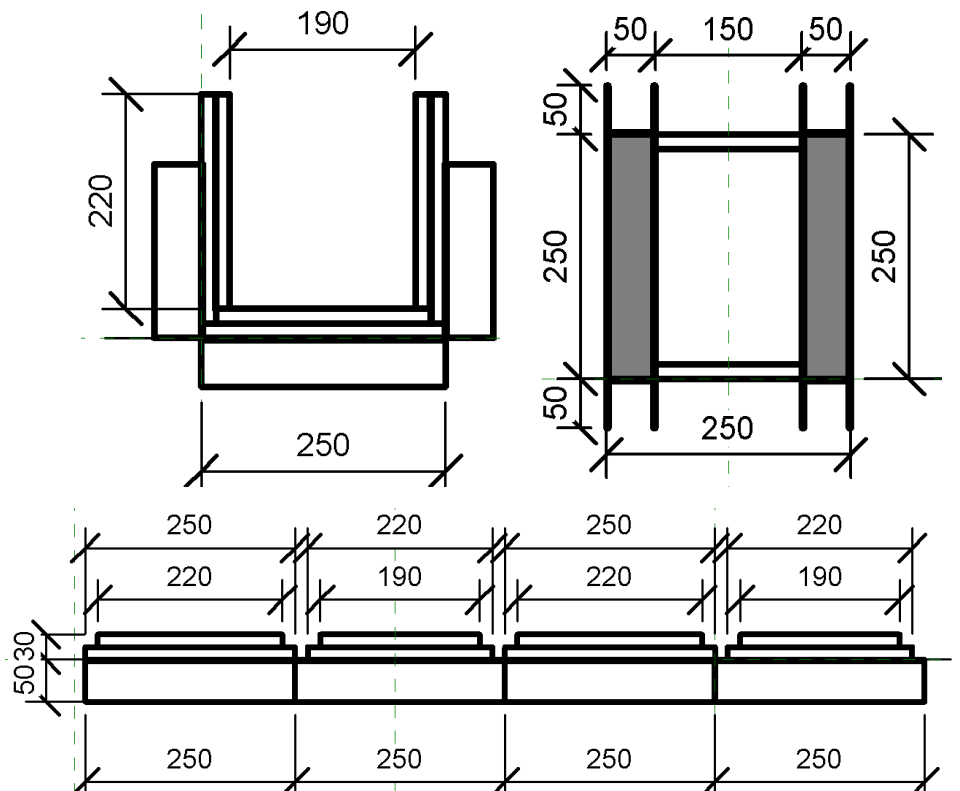
Pro-Cut 4-Sided Twin Wall Builder's Work Opening: Standard British Gypsum Compliant Detail

1. **Plasterboard fillets** as specified.
 2. **Metal head track** as specified.
- **Note:** Top edge of component pre-prepared by Drywall Pro-Cut for ease-of-fixing to suitable vertical studs to form a single robust composite unit.
 - **Note:** Suitable fixings are always selected by Drywall Pro-Cut Ltd to ensure compliance with British Gypsum performance criteria.
 - **See Website:**
<https://www.drywallpro-cut.co.uk>
for available options.



4-Sided Twin Wall Builder's Work Opening: Example Dimensions (British Gypsum Compliant)

- Flat-packed arrangement depicted (bottom right) to form 4-sided opening depicted (top left).
- For an example 190x190mm opening for a partition consisting of two layers of 15mm board the below flat-packed arrangement would be supplied by Drywall Pro-Cut Ltd.
- Opening depth formed from two sets of twin metal channels as depicted (top right).
- See Website:
<https://www.drywallpro-cut.co.uk>
for more options.



Drywall Pro-Cut Ltd

Office Drywall Supplies: Drywall Components Now Made Off Site by the Expert Drywall Distributor.

Head Office: Villiers Court, Meriden Business Park, 7 Copse Dr, Millisons Wood, Coventry, CV5 9RN.

Tel: 07740 358 514

Email: enquiries@drywallpro-cut.co.uk

Website: <https://www.drywallpro-cut.co.uk>